

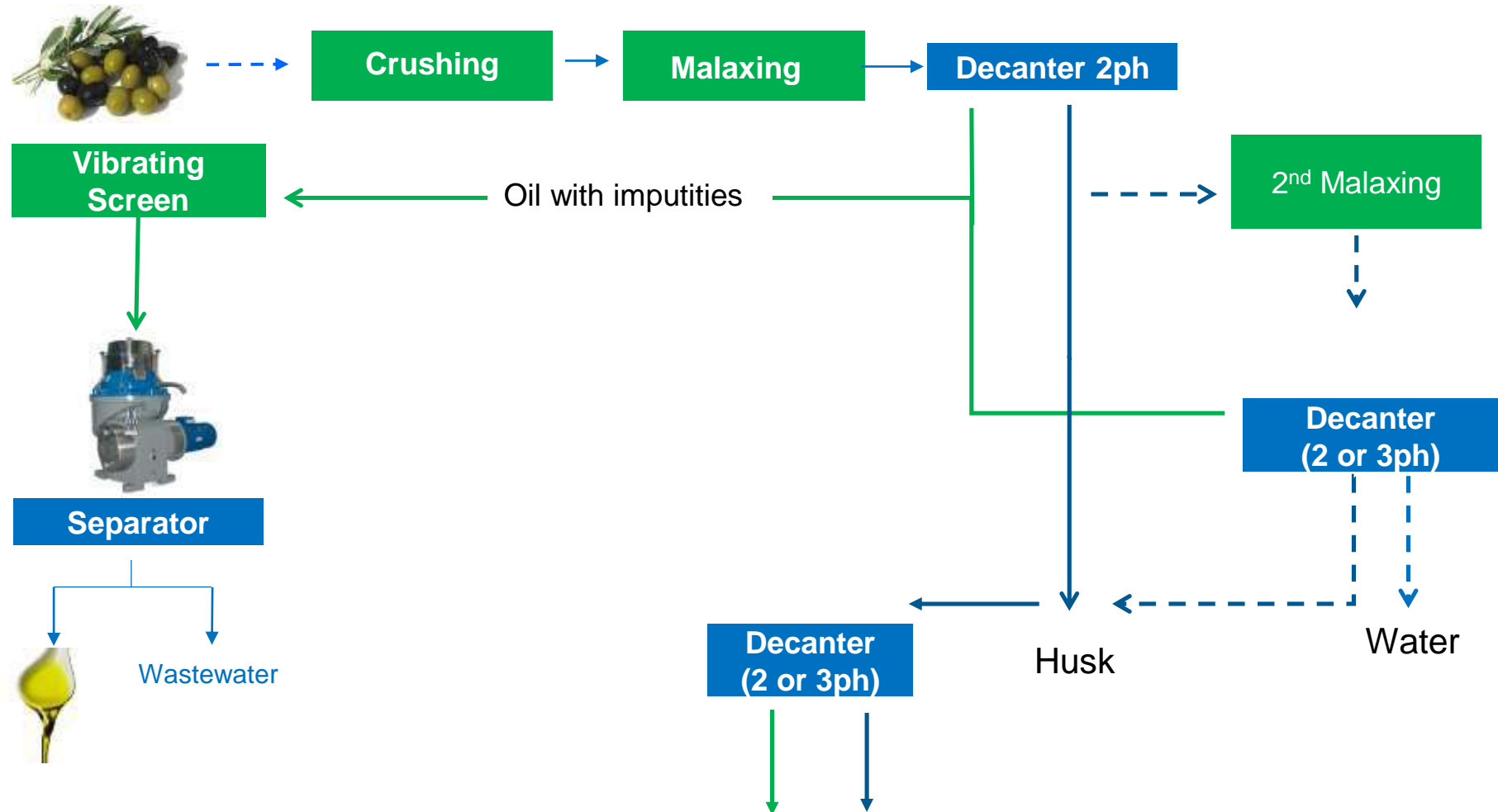


# OLIVE OIL SEPARATORS

FPS Global Partners  
North America Office: Miami, Florida  
SE Asia: Honolulu, Hawaii  
+1305 487 1556  
[info@fpsglobalpartners.com](mailto:info@fpsglobalpartners.com)  
[www.fpsglobalpartners.com](http://www.fpsglobalpartners.com)

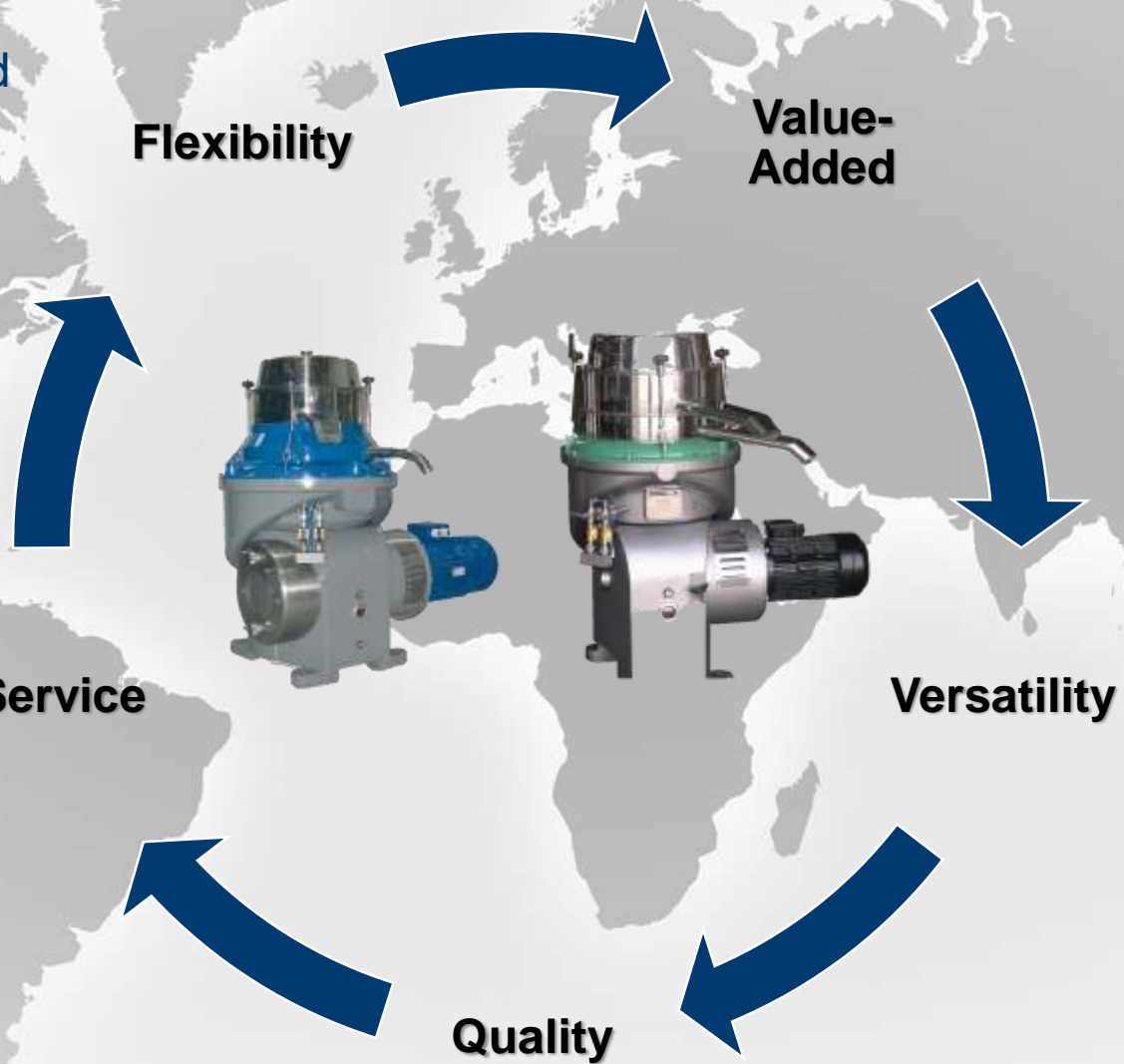
# NECESSITY TO HAVE AN EFFICIENT SEPARATION PHASE

In olive oil processing



# OLIVE OIL SEPARATORS

Turning your olives into gold



# CA SEPARATOR FOR OLIVE OIL PROCESSING

## Advantages

- **Low oil temperature pick-up**, due to the low residential time and the specific design
- Bowl made entirely of stainless steel to ensure **highest sanitary standard**
- **Reduced energy consumption, spare parts costs, and noise level** thanks to the belt drive



FPS Global Partners  
North America Office: Miami, Florida  
SE Asia: Honolulu, Hawaii  
+1305 487 1556

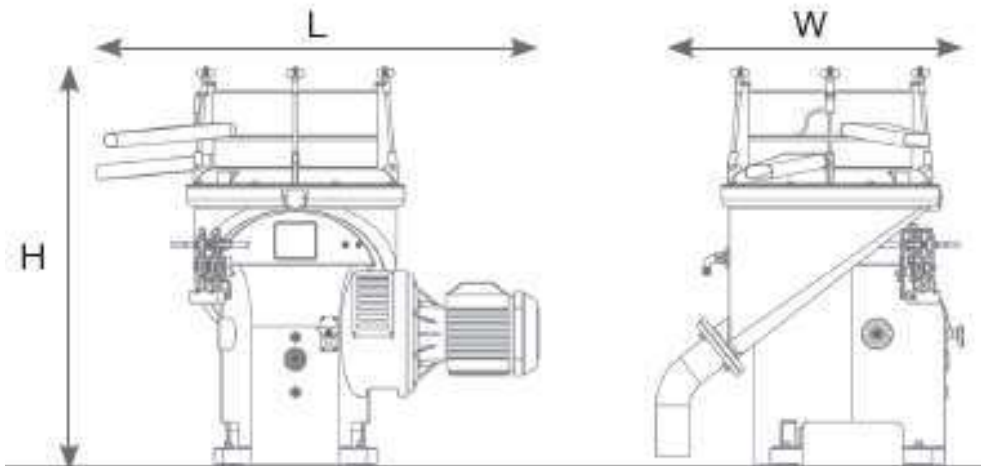
[info@fpsglobalpartners.com](mailto:info@fpsglobalpartners.com)

4 [www.fpsglobalpartners.com](http://www.fpsglobalpartners.com)

# SEPARATOR FOR OLIVE OIL PROCESSING

CA O series

Model	Capacity l/hr max	Power kW	Length mm	Width mm	Height mm
CA 30 O	1,500	7.5	1,200	1,200	1,350
CA 50 O	2,500	15	1,500	1,600	1,400



FPS Global Partners  
North America Office: Miami, Florida  
SE Asia: Honolulu, Hawaii  
+1305 487 1556